

# OFFSET SUPPORT

## OFFSET SUPPORT

is designed for installation of one antenna together with RRU units on masts, towers or other vertical structures.

## FLEXIBILITY

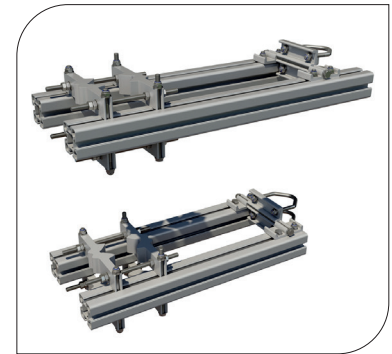
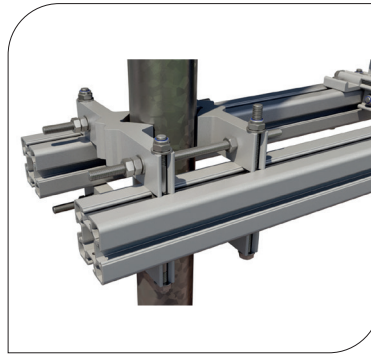
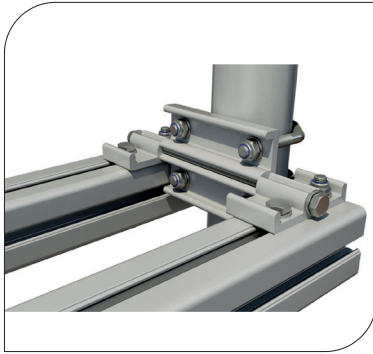
The support can be installed on a wide range of all common vertical structures such as round, square, angle etc. It can be adjusted and complemented with accessories in order to get a perfect adaption to the site.

## QUALITY

All components are made of anodized aluminum and acid proof stainless steel which gives the support excellent corrosion resistance.

## EASY ASSEMBLY

Handling and installation is very easy thanks to its light weight but also thanks to its clever design allowing the clamp to be opened and closed without any loose parts which significantly speeds up the installation.



## ORDER AND TECHNICAL INFORMATION

DRAWING NO:	CD 991022			
FUNCTION DESCRIPTION:	Offset Support for installation of one antenna together with RRU units on masts, towers or other vertical structures.			
MECHANICAL DATA				
Clamp profiles:	Aluminium, nature anodized 20µm			
Beams:	Aluminium, nature anodized 20µm			
Fasteners:	Acid proof stainless steel			
MOUNTING SPAN:	TUBES:	SQUARE PROFILES:	90° ANGLE:	60° ANGLE:
	○	□	∨	∨
Minimum:	Ø30 mm (1,2 in)	35 x 35 (1,4 x 1,4 in)	35 x 35 (1,4 x 1,4 in)	40 mm (1,6 in) opening
Maximum:	Ø155 mm (6,0 in)	110 x 110 mm (4,3 x 4,3 in)	110 x 110 mm (4,3 x 4,3 in)	140 mm (5,5 in) opening
PACKAGE DIMENSIONS	LENGTH	WIDTH	HEIGHT	WEIGHT
	800 mm (31,5 in)	300 mm (11,8 in)	100 mm (3,9 in)	31 kg (69 lb)